



T-LOC-20 Floating Shelf Brackets

T-LOC-2015-06 • T-LOC-2015-08 • T-LOC-2015-10 • T-LOC-2015-12
 T-LOC-2015-14 • T-LOC-2015-16 • T-LOC-2015-18 • T-LOC-2015-20

Tools Needed

Measuring tape	Pencil	#1 square drive bit
Laser level (optional)	Drill	1/4" drill bit
Level	Impact driver	1/2" wrench
Stud finder	T30 torx drive bit	

Parts Included

[2] Shelf bracket arms	[2] 1.5" self-tapping trim screws
[2] Base plates	[2] 1" self-tapping trim screws
[2] 3.5" structural screws	[1] 5/32" drill bit
[2] Double headed lags	

Installation Instructions

Step 1: Using a level or laser level as a guide, draw a horizontal line on the selected wall or area at the desired installation height taking into account the thickness of the shelf top. The line must be as long as the shelf that's being installed.

Step 2: Use a stud finder to find wall studs to mount the brackets on within the length of the horizontal line. Use a pencil to draw a vertical line in the center of each stud up 1" from the horizontal line.

Step 3: Place the provided adhesive mounting template on the wall where the shelf bracket will be fastened. The top edge of the template should be on the horizontal line and the vertical center line should match the vertical line on the wall.

Step 4: Pre-drill the bottom hole using a drill and a 1/4" bit, drilling through the center of the bottom dot on the mounting template. Drill approximately 3" deep (the hole must be as level as possible). Drive the double headed lag into the lower hole using an impact and a 1/2" drive socket leaving approximately 1/4" gap between the lag head and the wall.

Step 5: Fit the base plate on the lower screw and hold it so the top is parallel with the top of the template.

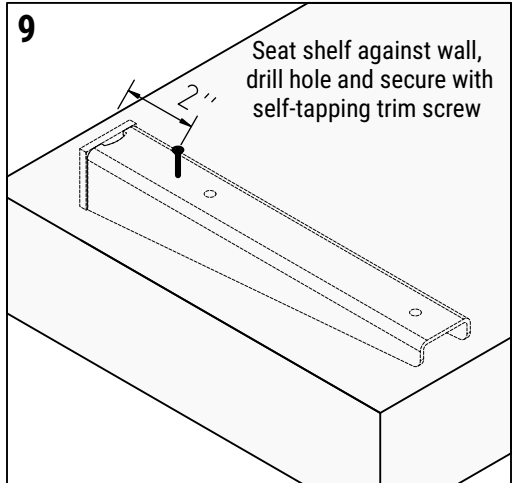
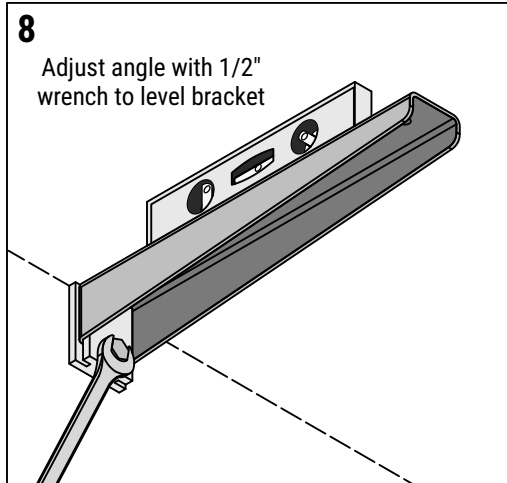
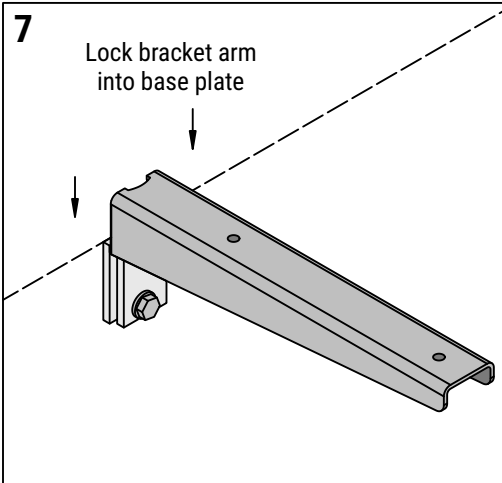
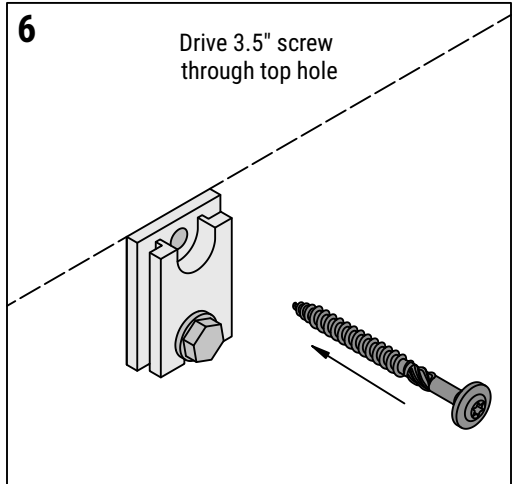
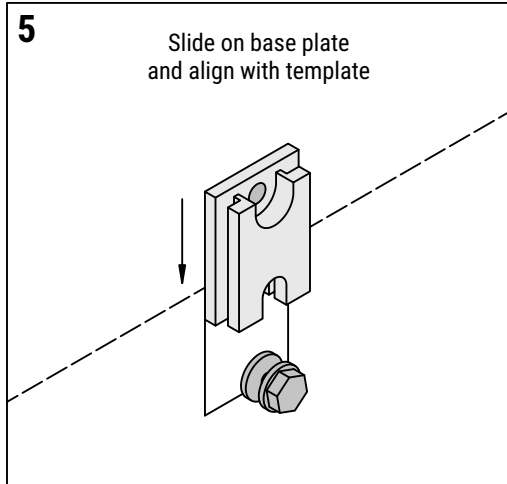
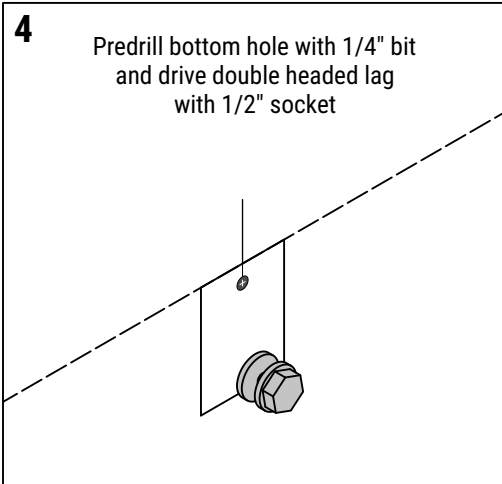
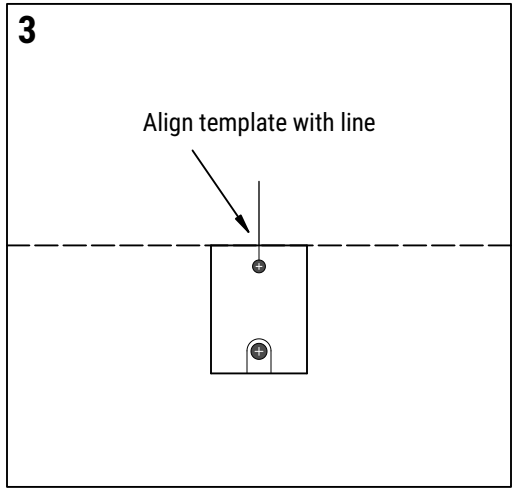
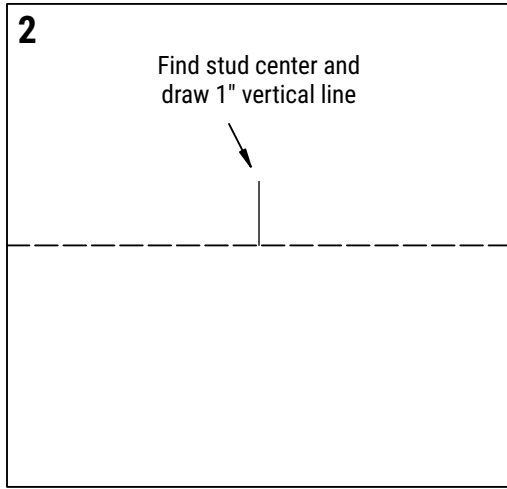
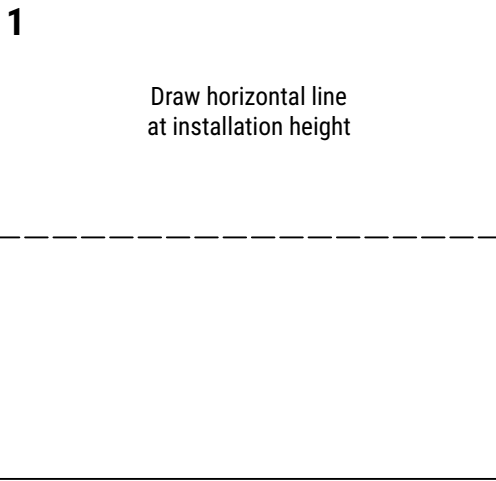
Step 6: Fasten the plate to the wall by using an impact and a T30 bit to drive the 3.5" structural screw through the upper hole of the plate (this hole may be pre-drilled with a 1/8" drill bit if desired).

Step 7: Lock the shelf bracket arm into the base plate.

Step 8: To level the bracket, place a level on top to the bracket arm and, using a 1/2" wrench, rotate the double headed lag clockwise or counter-clockwise. Make sure to level the brackets with each other.

Repeat steps 4-8 for each bracket.

Step 9: Slide the shelf onto the shelf brackets and push it firmly against the wall. Measure 2" out from the lines drawn in step 2 and use a drill with the 5/32" bit to drill to, but not through, the brackets. Use an impact with a #1 square drive bit to drive a 1" self-tapping screw (for shelves with 1/2" top thickness) or a 1.5" self-tapping screw (for shelves with more than 1/2" top thickness) through each hole and into the brackets to secure the shelf to the wall.



Discover more products by visiting us online. Just scan this **QR code** or visit **www.innovashelf.com** to find inspiration photos, bracket specs, other products, and information about purchasing more brackets or buying wholesale.